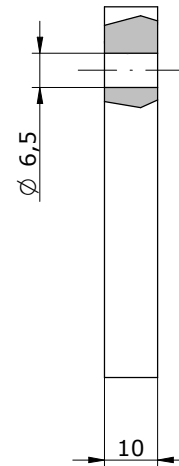
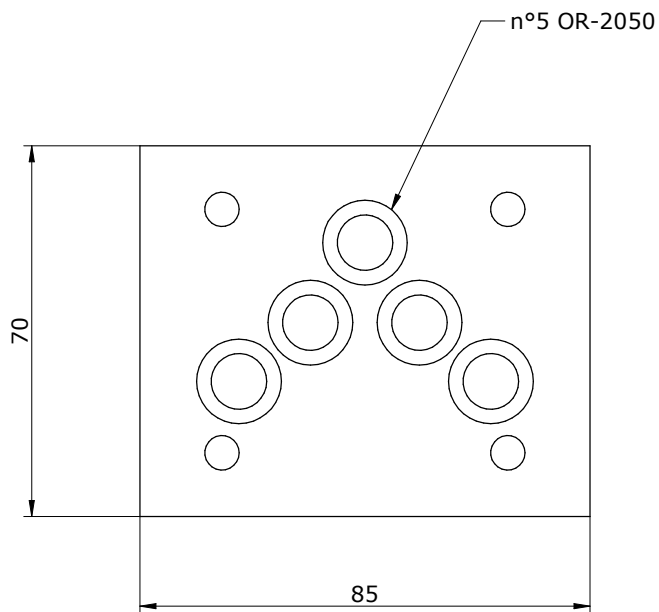
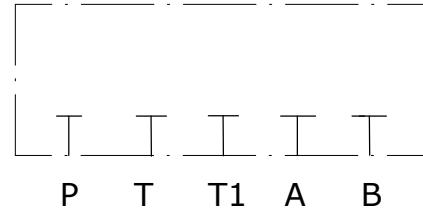
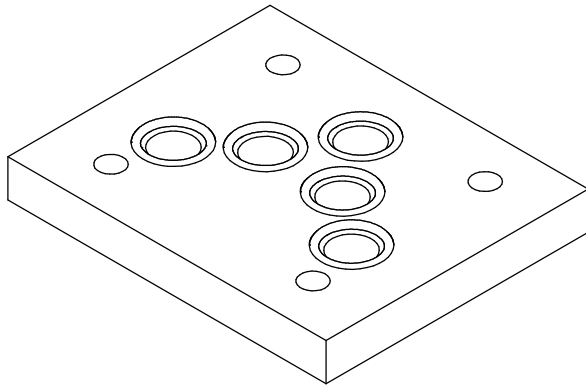


Schema idraulico
Hydraulic diagram



E_ 10 - 00 - 10

S = STEEL