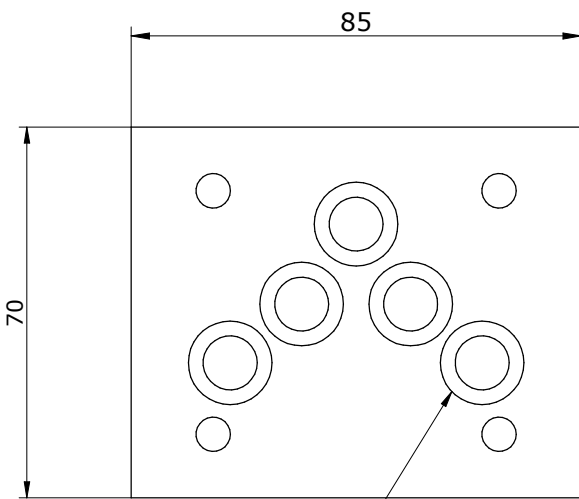
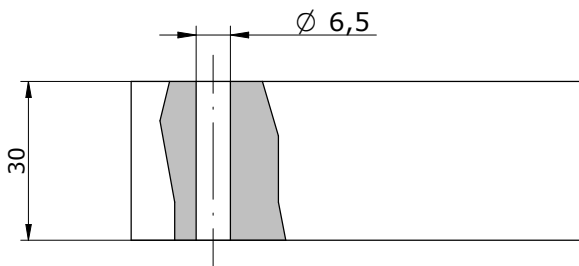
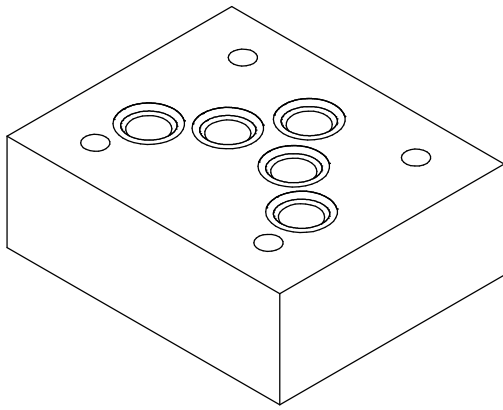
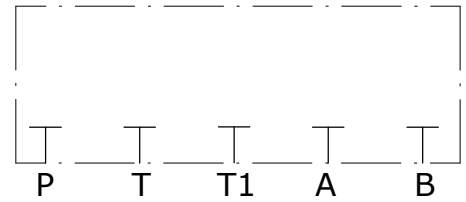


Schema idraulico
Hydraulic diagram

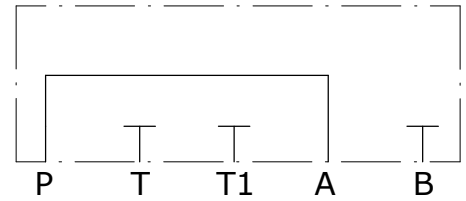


N°5 OR-2050

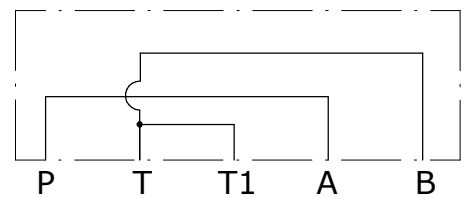
0



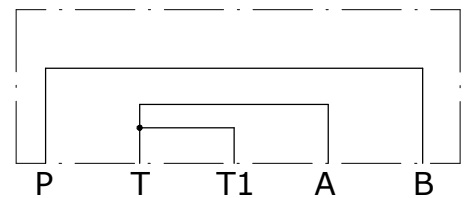
1



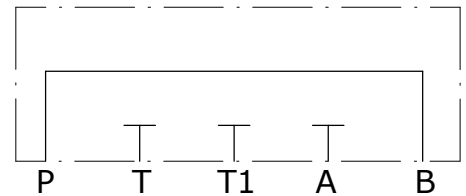
2



3



4



E_ 10 - 00 - 20 -

S = STEEL

SEE DIAGRAMS

**ORDINE MINIMO: 2 PEZZI
MINIMUM ORDER: 2 PCS**